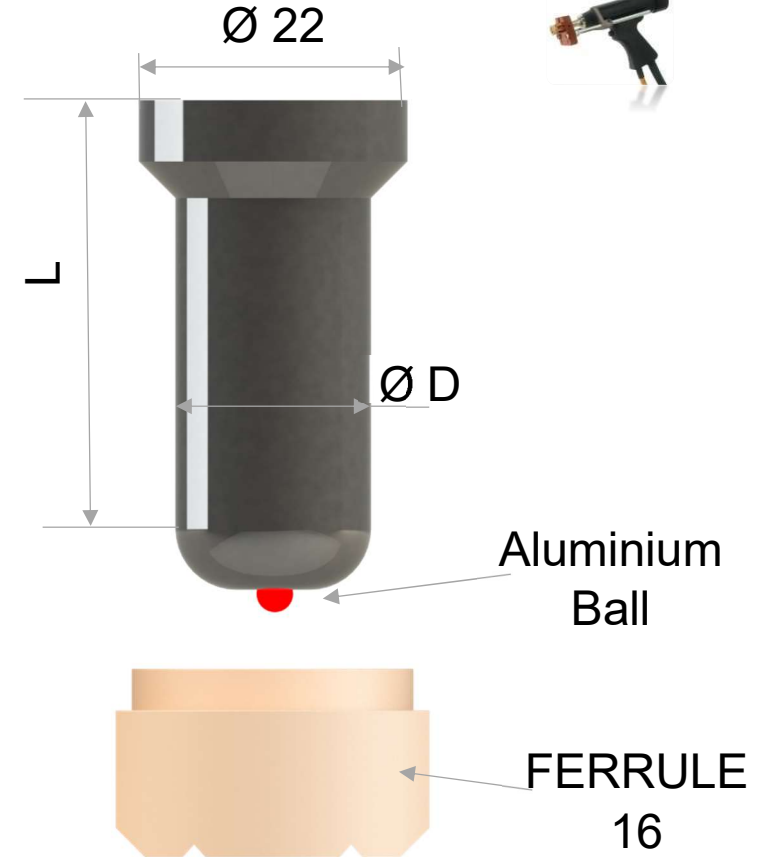
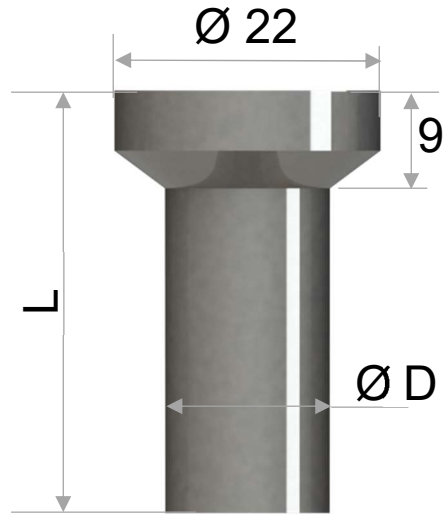


ELECTRODE WELDING

ANCHOR FOR TILES IN INCINERATORS

STUD WELDING



RI.16 - 035 - CS				
TYPE	Ø D	L	ALLOY	

RIS.16 - 035 - CS - AB				
TYPE	Ø D	L	ALLOY	ALU BALL



www.anchorsforrefractory.com
 contact@anchorsforrefractory.com

Tél : + 33 3 66 50 00 33 / +33 7 85 06 29 49
 PA Vallée de l'Escaut - rue de la crête - 59264 ONNAING-France

These informations are general informative indications. Many particular conditions of use and exceptions exist in industrial applications, many parameters can influence the technical choices. The informations mentioned in this technical data sheet, in particular regarding the features and the performances of the products, is provided for guidance purposes only and is liable to change depending of the conditions of use and environment. Information mentioned can be modified without notice. The company ANCHORS will in no circumstances be held liable for the consequences of any improper use. If you want some suggestions from us, applicable for your specific application and/or environment, please contact us.