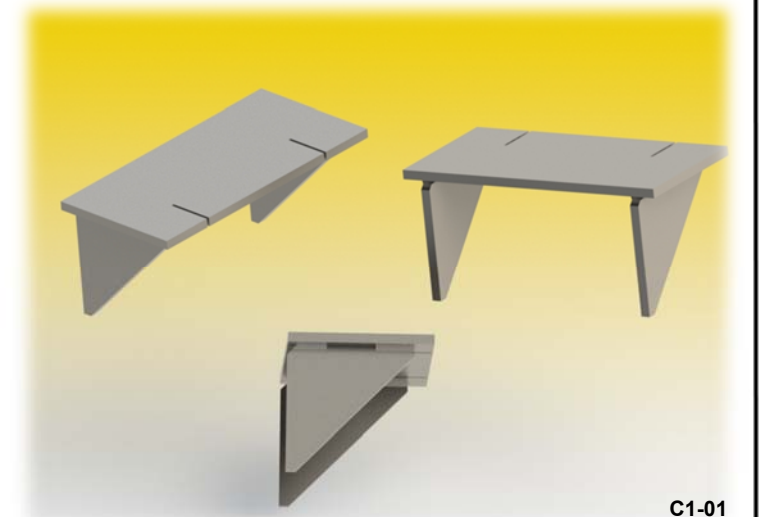
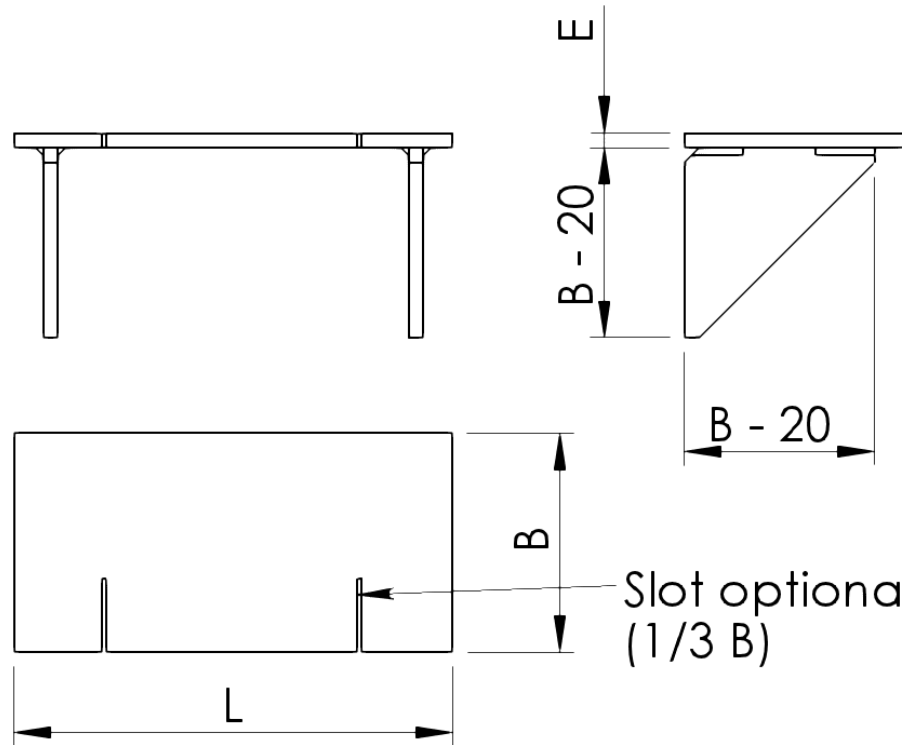


SUPPORT BRACKETS

S.10 - 400 - 180- 2 - 310S

TYPE	Thickness E	LENGTH L	LENGTH B	Number GUSSET	ALLOY
------	----------------	-------------	-------------	------------------	-------

Options :



Our recommendations :



France – phone : + 33 3 66 50 00 30
 anchorscontact@gmail.com
 www.anchorsforrefractory.com

C1-01
 06-2015

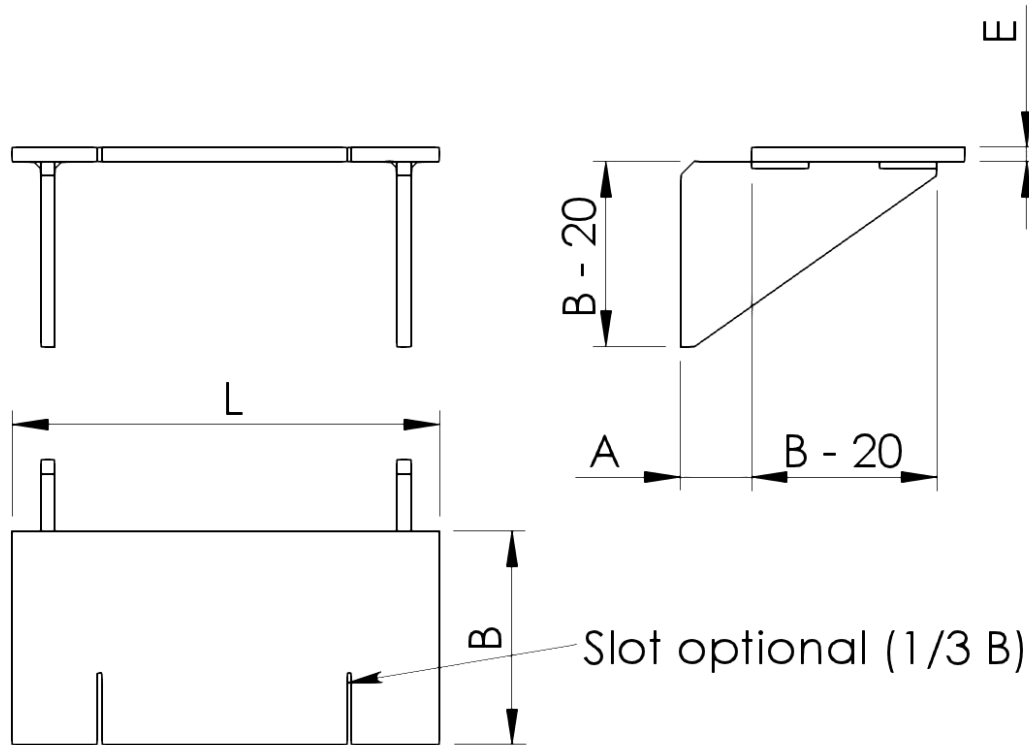
This drawing is the property of ANCHORS unauthorised use and / or reproduction of the drawing is prohibited. Informations mentioned are guide lines only and can be modified without previous notice .Please contact us if you want a liable specification

C-SUPPORT BRACKETS

SA.10- 400-180-50 - 2- 304

TYPE Thickness LENGTH LENGTH LENGTH Number ALLOY
 E L B A GUSSET

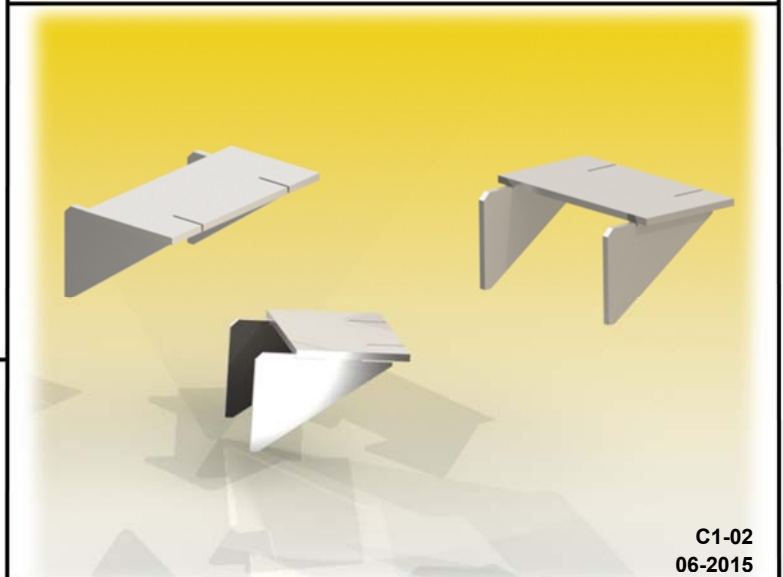
Options :



Our recommendations :



France – phone : + 33 3 66 50 00 30
 anchorscontact@gmail.com
 www.anchorsforrefractory.com



C1-02
 06-2015

This drawing is the property of ANCHORS unauthorised use and / or reproduction of the drawing is prohibited. Informations mentioned are guide lines only and can be modified without previous notice .Please contact us if you want a liable specification

C-SUPPORT BRACKETS