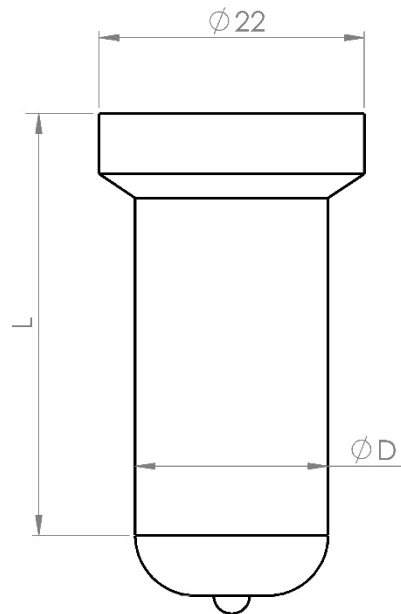
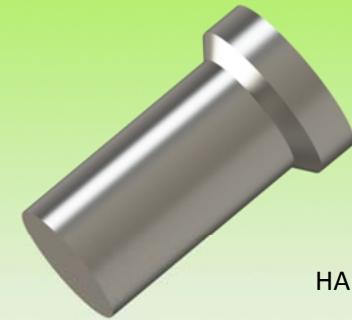


RIS.16 – 035 – CS - AB

TYPE Ø D L ALLOY ALU BALL



Options :



RIV
HAND WELDING



Our recommendations :



France – phone : + 33 3 66 55 00 30
anchorscontact@gmail.com
www.anchorsforrefractory.com

B6-01
06-2015

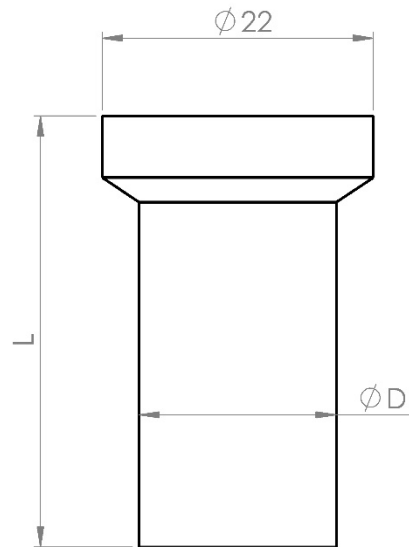
This drawing is the property of ANCHORS unauthorised use and / or reproduction of the drawing is prohibited. Informations mentioned are guide lines only and can be modified without previous notice .Please contact us if you want a liable specification



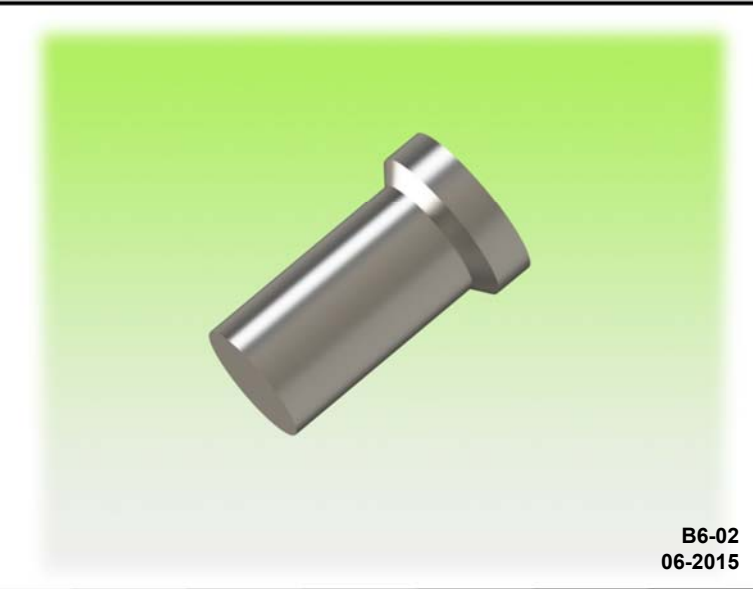
B-BRICK ANCHOR

RI.16 – 035 – CS

TYPE Ø D L ALLOY



Options : see details on page B6-01



Our recommendations :



France – phone : + 33 3 66 55 00 30
anchorscontact@gmail.com
www.anchorsforrefractory.com

B6-02
06-2015

This drawing is the property of ANCHORS unauthorised use and / or reproduction of the drawing is prohibited. Informations mentioned are guide lines only and can be modified without previous notice .Please contact us if you want a liable specification



B-BRICK ANCHOR