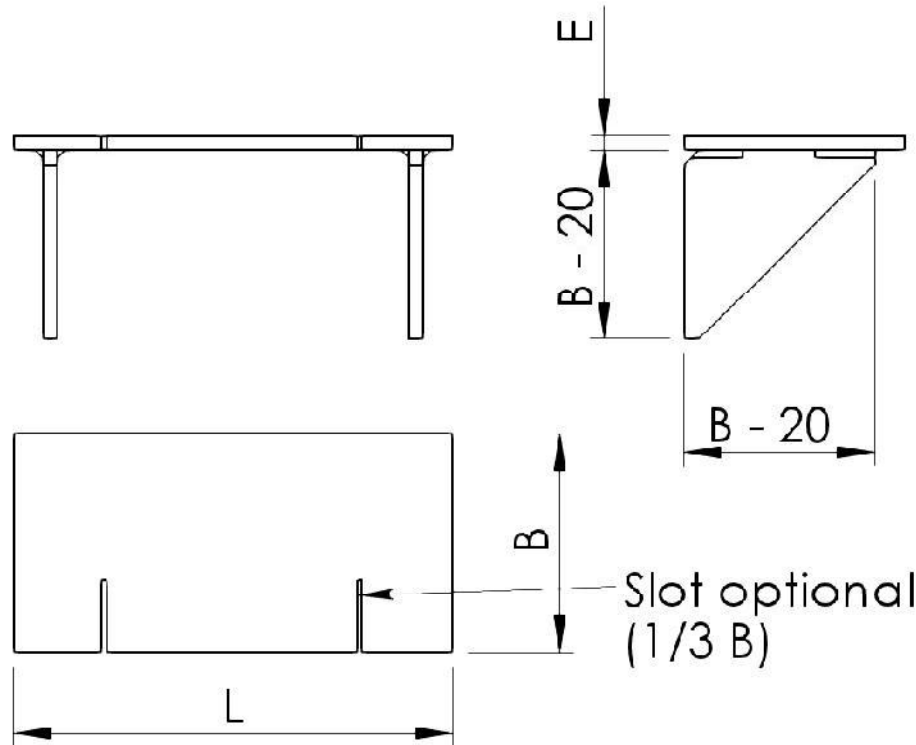


SUPPORT BRACKETS

S.10 - 400 - 180- 2 - 310S

TYPE	Thickness E	LENGTH L	LENGTH B	Number GUSSET	ALLOY
------	----------------	-------------	-------------	------------------	-------

Options :



Our recommendations :



France – phone : + 33 3 66 50 00 30
 anchorscontact@gmail.com
 www.anchorsforrefractorv.com



C1-01
06-2015

This drawing is the property of ANCHORS unauthorised use and / or reproduction of the drawing is prohibited. Informations mentioned are guide lines only and can be modified without previous notice .Please contact us if you want a liable specification

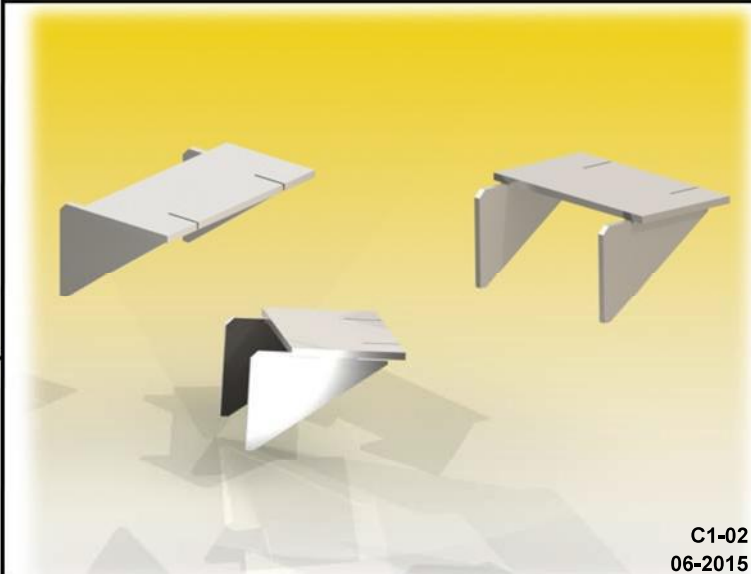
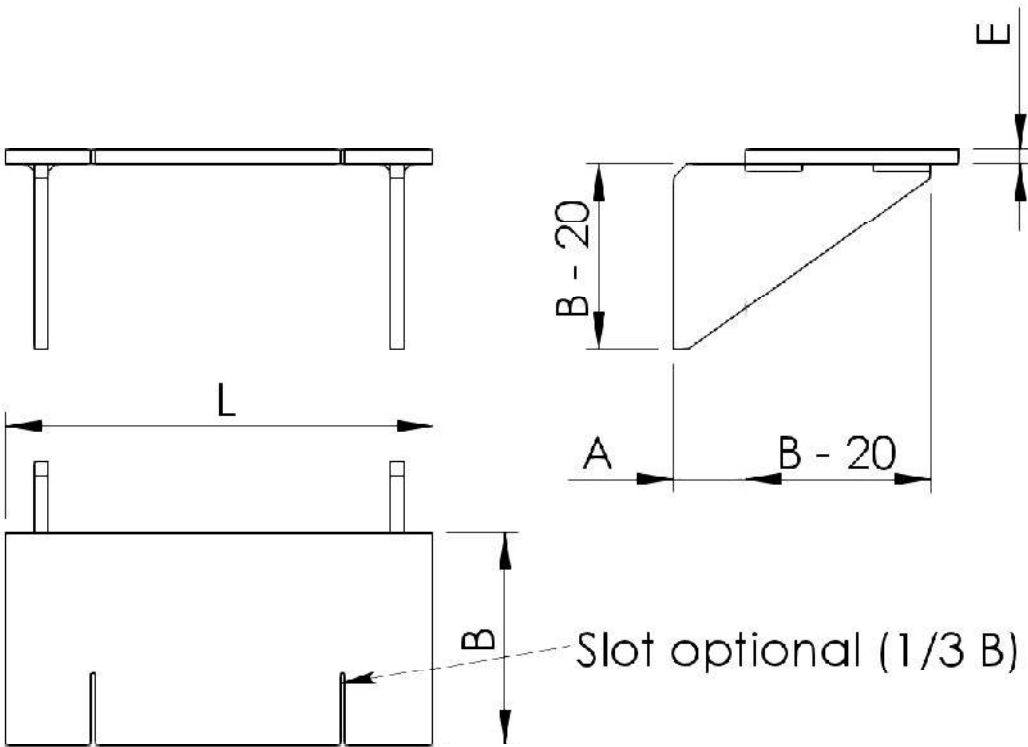
C-SUPPORT BRACKETS

SUPPORT BRACKETS

SA.10- 400-180-50 - 2- 304

TYPE Thickness LENGTH LENGTH LENGTH Number ALLOY
 E L B A GUSSET

Options :



Our recommendations :



France – phone : + 33 3 66 50 00 30
 anchorscontact@gmail.com
 www.anchorsforrefractory.com

C1-02
 06-2015

This drawing is the property of ANCHORS unauthorised use and / or reproduction of the drawing is prohibited. Informations mentioned are guide lines only and can be modified without previous notice .Please contact us if you want a liable specification

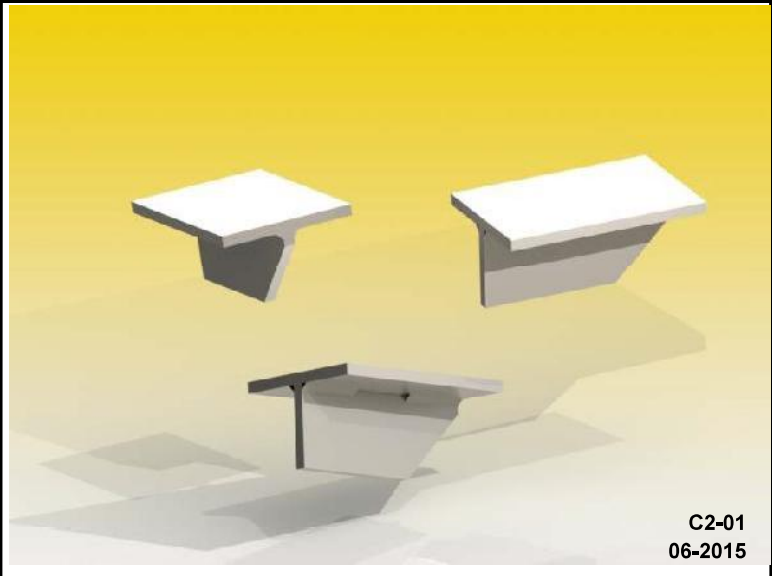
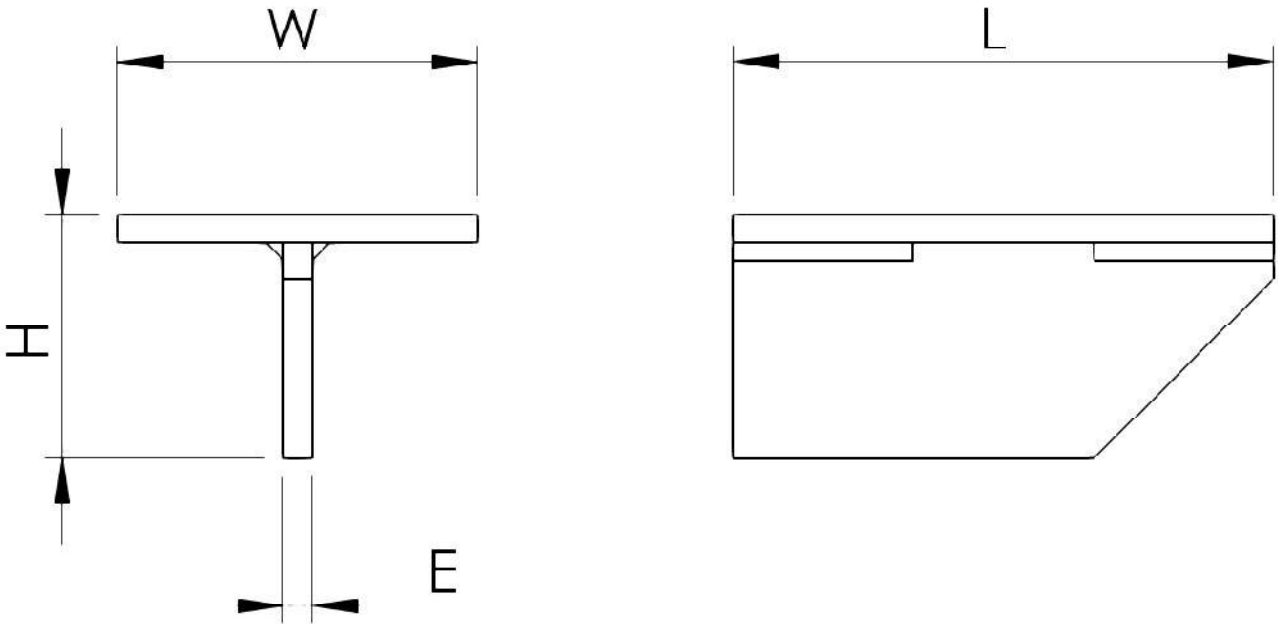
C-SUPPORT BRACKETS

SUPPORT BRACKETS

TB - 150 - 100 - 70 - 8 - 310S

TYPE LENGTH LENGTH LENGTH Thickness ALLOY
 L W H E

Options :



Our recommendations :



France – phone : + 33 3 66 50 00 30
 anchorscontact@gmail.com
 www.anchorsforrefractorv.com

C2-01
 06-2015

This drawing is the property of ANCHORS unauthorised use and / or reproduction of the drawing is prohibited. Informations mentioned are guide lines only and can be modified without previous notice .Please contact us if you want a liable specification

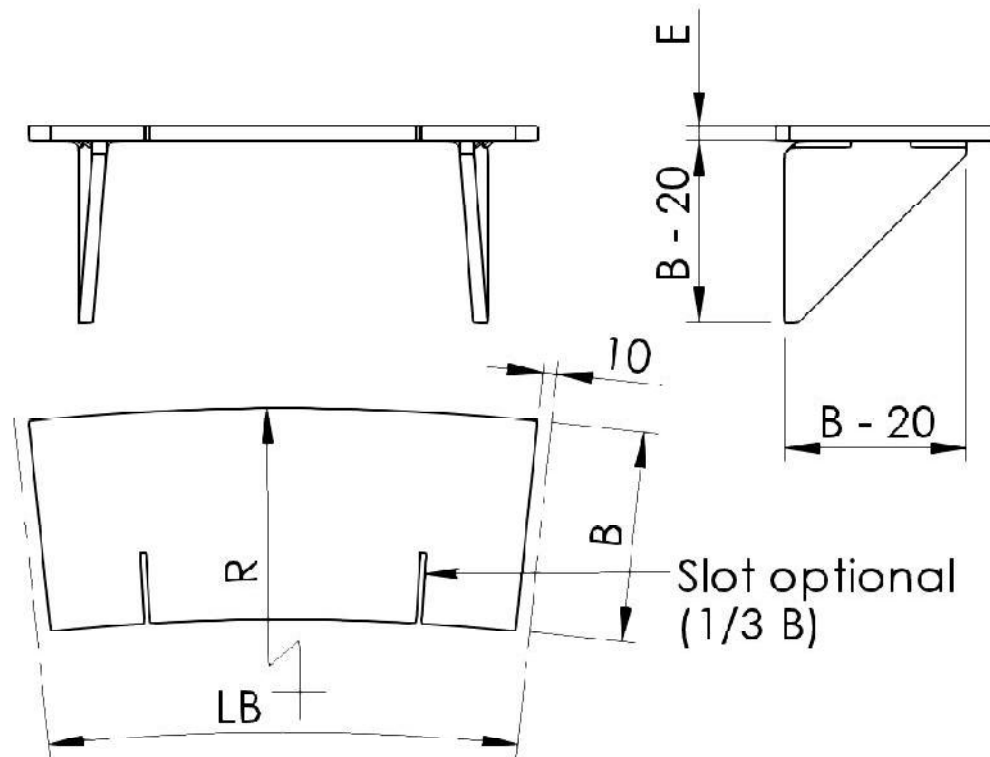
C-SUPPORT BRACKETS

SUPPORT BRACKETS

R. 10 - 3000 - 400 - 150 - 2 - 304

TYPE	Thickness E	RADIUS R	LENGTH L B	LENGTH B	Number GUSSET	ALLOY
------	----------------	-------------	---------------	-------------	------------------	-------

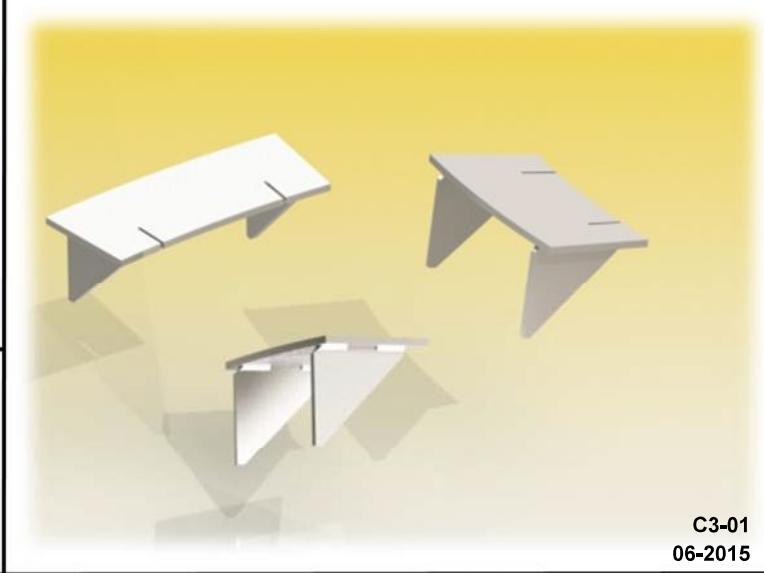
Options :



Our recommendations :



France – phone : + 33 3 66 50 00 30
 anchorscontact@gmail.com
 www.anchorsforrefractorv.com



C3-01
06-2015

This drawing is the property of ANCHORS unauthorised use and / or reproduction of the drawing is prohibited. Informations mentioned are guide lines only and can be modified without previous notice .Please contact us if you want a liable specification

C-SUPPORT BRACKETS