

DRS-RT.6 – 150 – 310 or CT

TYPE Ø LENGTH L ALLOY

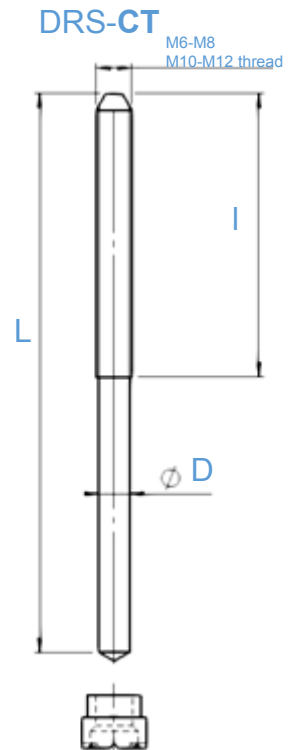
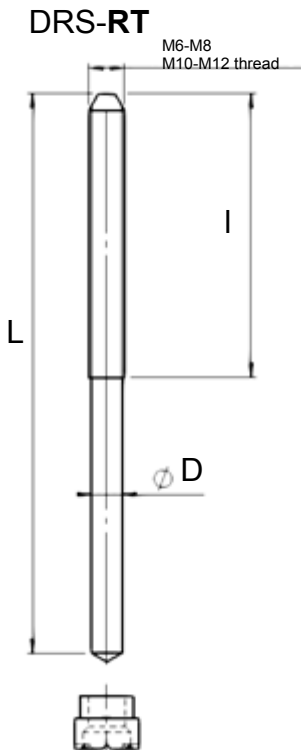
NOTE :

RT = Rolled thread

M6 D= ±5.35mm
M8 D= ±7.18mm
M10 D= ±9.02mm
M12 D= ±10.86mm

Ceramic Ferrule

FER 052 for D = 5.35 mm
FER 072 for D = 7.18 mm
FER 090 for D = 9.02 mm
FER 108 for D = 10.82 mm



NOTE :

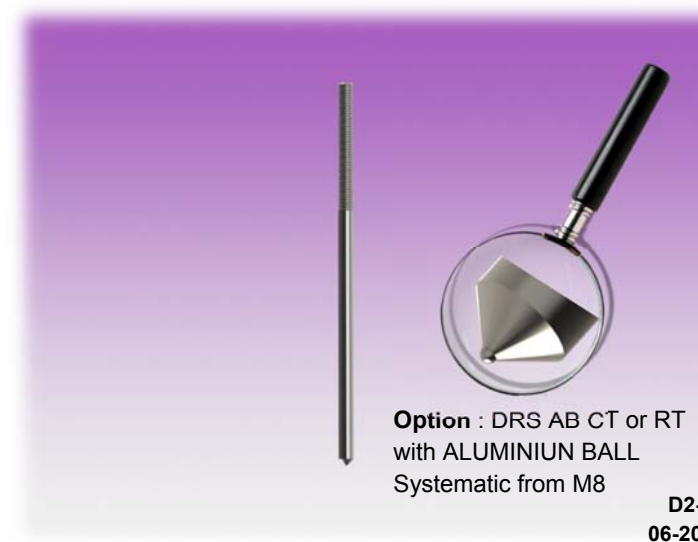
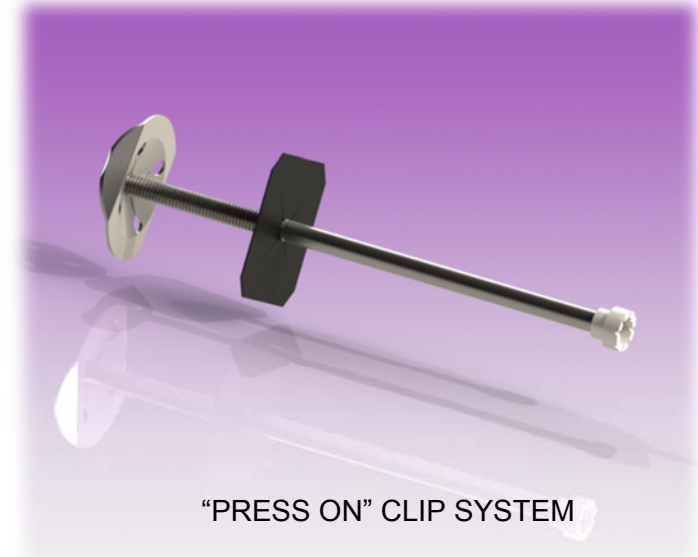
CT = Cut thread

M6 D= ±6 mm
M8 D= ±8 mm
M10 D= ±10mm
M12 D= ±12mm

Ceramic Ferrule

FER 060 for D = 6 mm
FER 080 for D = 8 mm
FER 100 for D = 10 mm
FER 120 for D = 12 mm

Options :



Our recommendations :

- Stud welding



France – phone : + 33 3 66 50 00 30
anchorscontact@gmail.com
www.anchorsforrefractory.com

D2-01
06-2015

This drawing is the property of ANCHORS unauthorised use and / or reproduction of the drawing is prohibited. Informations mentioned are guide lines only and can be modified without previous notice .Please contact us if you want a liable specification

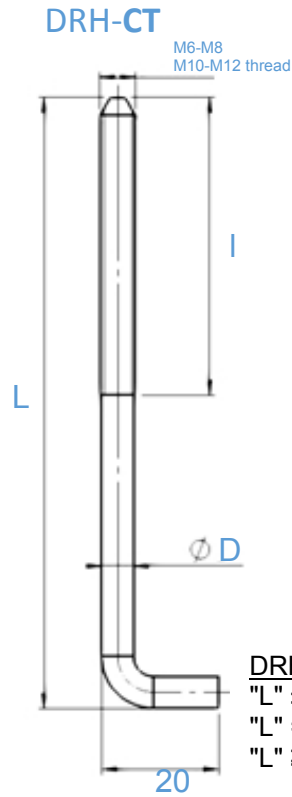
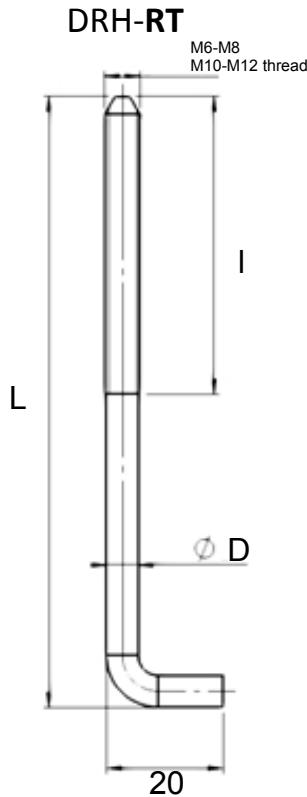
DRH-RT.6 – 150 – 310 or CT

TYPE Ø LENGTH L ALLOY

NOTE :

RT = Rolled thread

- M6 D= ±5.35mm
- M8 D= ±7.18mm
- M10 D= ±9.02mm
- M12 D= ±10.86mm



NOTE :

CT = Cut thread

- M6 D= ±6.00mm
- M8 D= ±8.00mm
- M10 D= ±10.00mm
- M12 D= ±12.00mm

DRH RT or CT

- "L" ≤ 50mm l = 20mm
- "L" = 51-≤100mm l = 25mm
- "L" ≥ 101mm l = 50mm

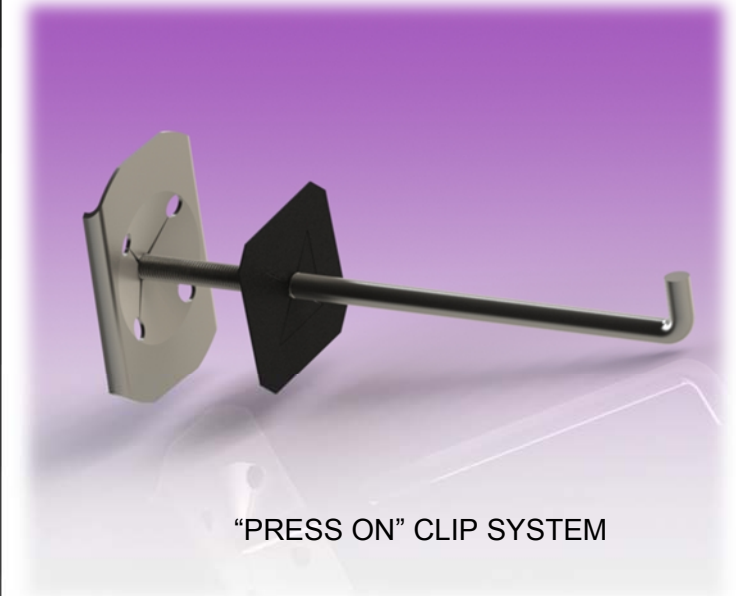
Our recommendations :

- Welding with electrode



France – phone : + 33 3 66 50 00 30
anchorscontact@gmail.com
www.anchorsforrefractory.com

Options :



D2-02
06-2015

ANCHORS FOR FIBRE LININGS

DRT-RT.6 – 150 – 310 or CT

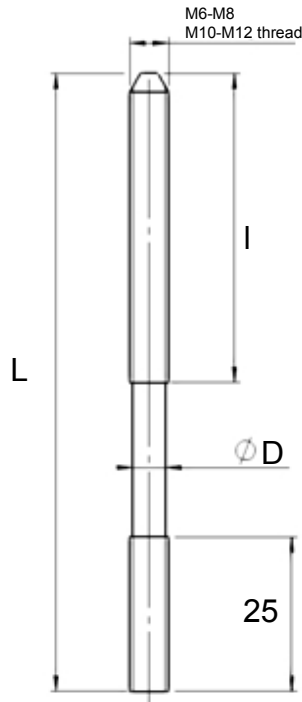
TYPE Ø LENGTH L ALLOY

NOTE :

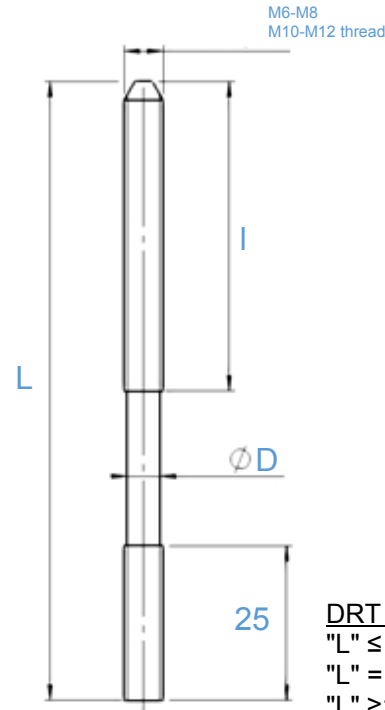
RT = Rolled thread

M6 D= ±5.35mm
M8 D= ±7.18mm
M10 D= ±9.02mm
M12 D= ±10.86mm

DRT-RT



DRT-CT



NOTE :

CT = Cut thread

M6 D= ±6.00mm
M8 D= ±8.00mm
M10 D= ±10.00mm
M12 D= ±12.00mm

DRT RT or CT

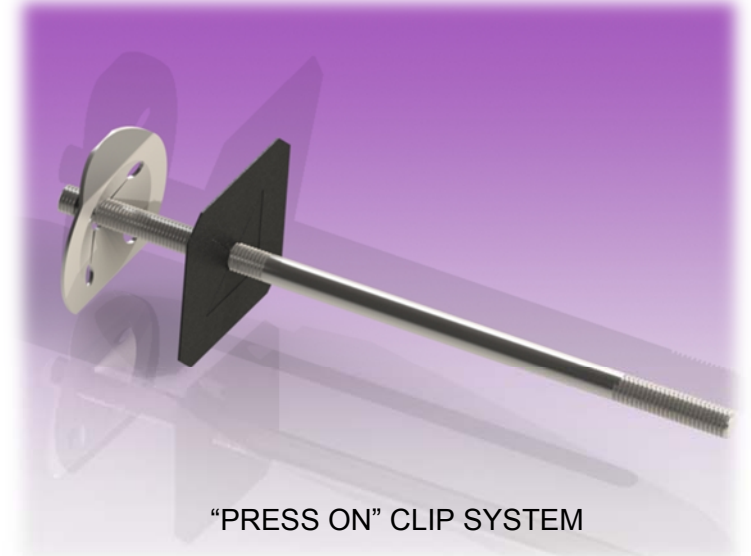
"L" ≤ 50mm I = 20mm
"L" = 51-≤100mm I = 25mm
"L" ≥ 101mm I = 50mm

Our recommendations :



France – phone : + 33 3 66 50 00 30
anchorscontact@gmail.com
www.anchorsforrefractory.com

Options :



D2-03
06-2015

This drawing is the property of ANCHORS unauthorised use and / or reproduction of the drawing is prohibited. Informations mentioned are guide lines only and can be modified without previous notice .Please contact us if you want a liable specification

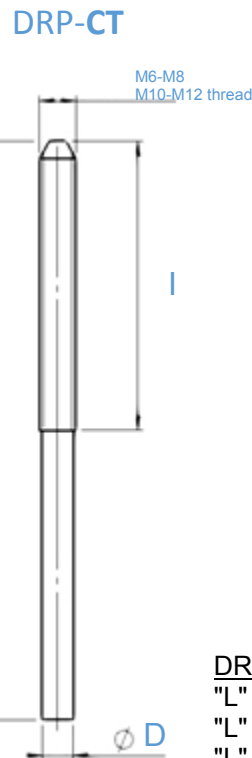
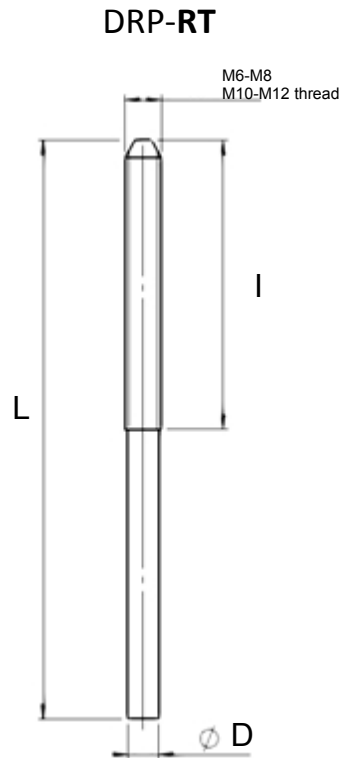
DRP-RT.6 – 150 – 310 or CT

TYPE Ø LENGTH L ALLOY

NOTE :

RT = Rolled thread

M6 D= ±5.35mm
M8 D= ±7.18mm
M10 D= ±9.02mm
M12 D= ±10.86mm



NOTE :

CT = Cut thread

M6 D= ±6.00mm
M8 D= ±8.00mm
M10 D= ±10.00mm
M12 D= ±12.00mm

DRP RT or CT

"L" ≤ 50mm l = 20mm
"L" = 51-≤100mm l = 25mm
"L" ≥ 101mm l = 50mm

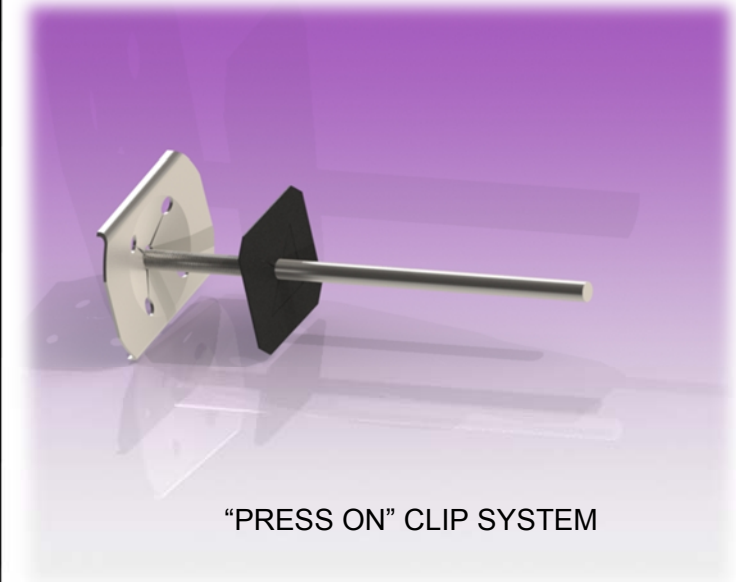
Our recommendations :

- Welding with electrode



France – phone : + 33 3 66 50 00 30
anchorscontact@gmail.com
www.anchorsforrefractory.com

Options :



"PRESS ON" CLIP SYSTEM

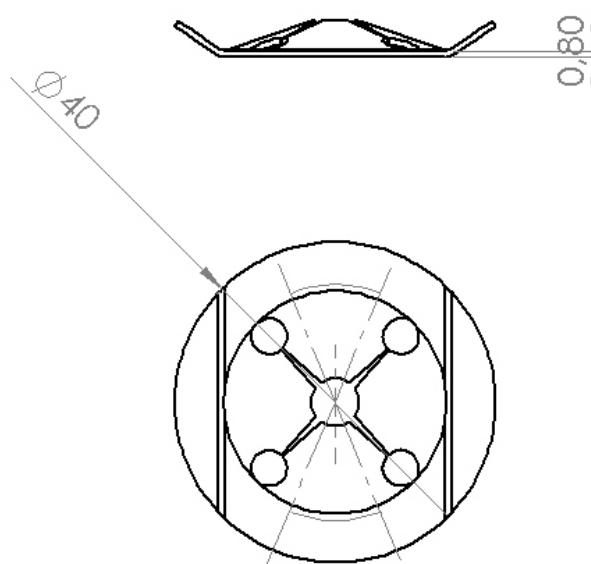


D2-04
06-2015

ANCHORS FOR FIBRE LININGS

POC.6 – 080 -310

TYPE Ø THICKNESS ALLOY



Options :



“PRESS ON” CLIP SYSTEM



Our recommendations :

- Fixing clip hot face for PRESS ON



France – phone : + 33 3 66 50 00 30
anchorscontact@gmail.com
www.anchorsforrefractory.com

D2-05
06-2015

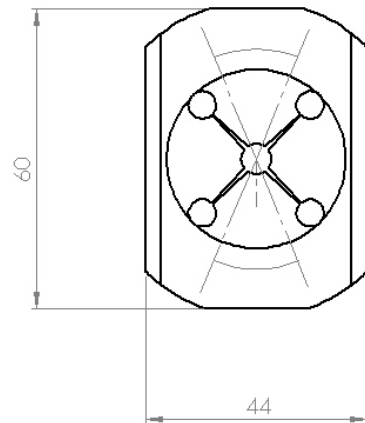
This drawing is the property of ANCHORS unauthorised use and / or reproduction of the drawing is prohibited. Informations mentioned are guide lines only and can be modified without previous notice .Please contact us if you want a liable specification



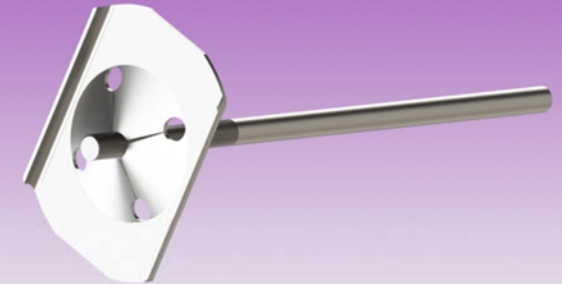
D-ANCHORS FOR FIBRE LININGS

LPC.8 – 100 -310

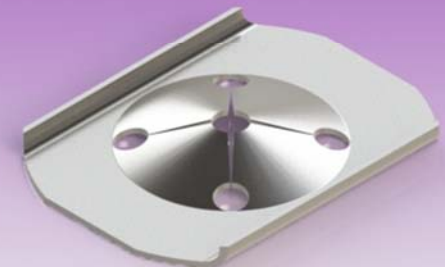
TYPE Ø THICKNESS ALLOY



Options :



“PRESS ON” CLIP SYSTEM



Our recommendations :

- Fixing clip hot face for PRESS ON



France – phone : + 33 3 66 50 00 30
 anchorscontact@gmail.com
 www.anchorsforrefractory.com

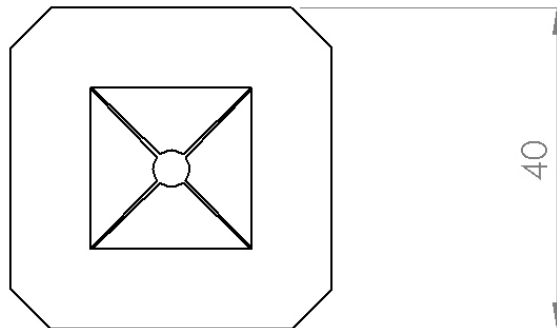
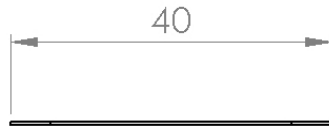
D2-06
 06-2015

This drawing is the property of ANCHORS unauthorised use and / or reproduction of the drawing is prohibited. Informations mentioned are guide lines only and can be modified without previous notice .Please contact us if you want a liable specification

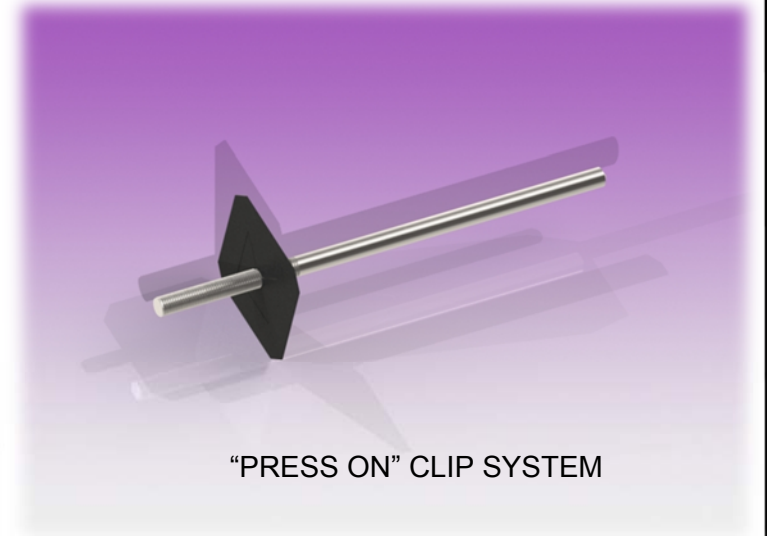
ANCHORS FOR FIBRE LININGS

MTC-045-000

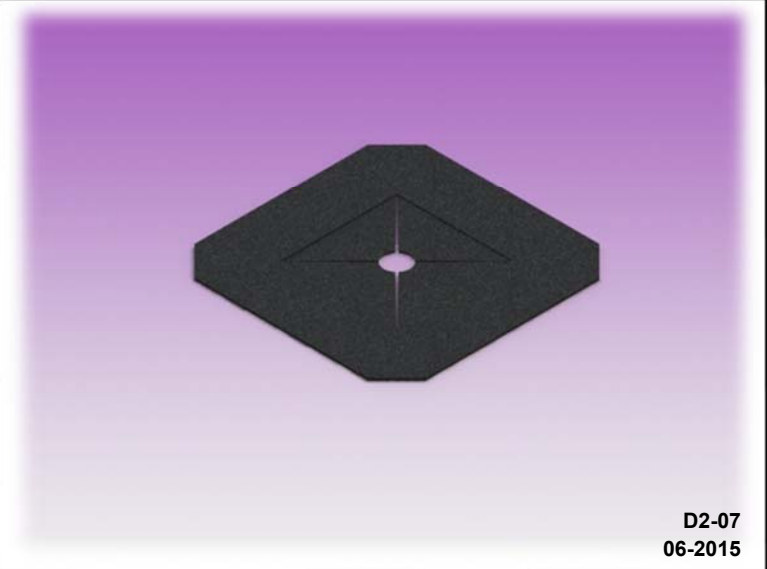
TYPE Ø ALLOY



Options :



“PRESS ON” CLIP SYSTEM



Our recommendations :

- Mounting clip in Carbon steel or Aisi 301 for fixing intermediate blankets in a layer construction – NOT SUITABLE HOT FACE



France – phone : + 33 3 66 50 00 30
anchorscontact@gmail.com
www.anchorsforrefractory.com

D2-07
06-2015

This drawing is the property of ANCHORS unauthorised use and / or reproduction of the drawing is prohibited. Informations mentioned are guide lines only and can be modified without previous notice .Please contact us if you want a liable specification

D-ANCHORS FOR FIBRE LININGS