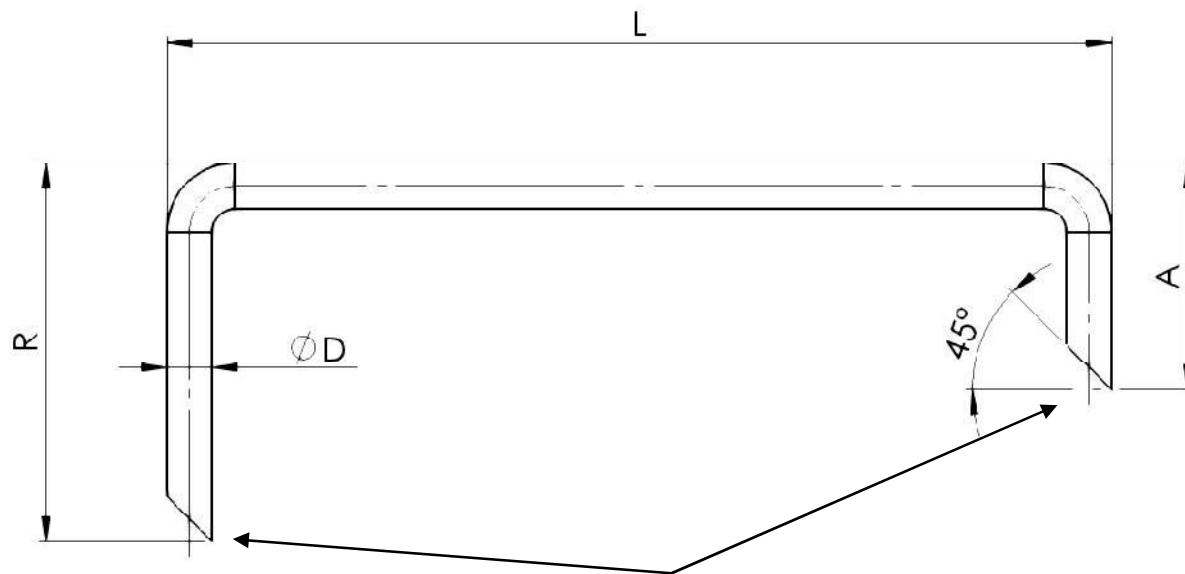


BSTP1.6 (40-20) 250-310

TYPE Ø LENGTH LENGTH LENGTH ALLOY
 R A L



Cut orientation not constant

Options :



Our recommendations :



France – phone : + 33 3 66 55 00 30
anchorscontact@gmail.com
www.anchorsforrefractory.com

B1-01
06-2015

This drawing is the property of ANCHORS unauthorised use and / or reproduction of the drawing is prohibited. Informations mentioned are guide lines only and can be modified without previous notice .Please contact us if you want a liable specification



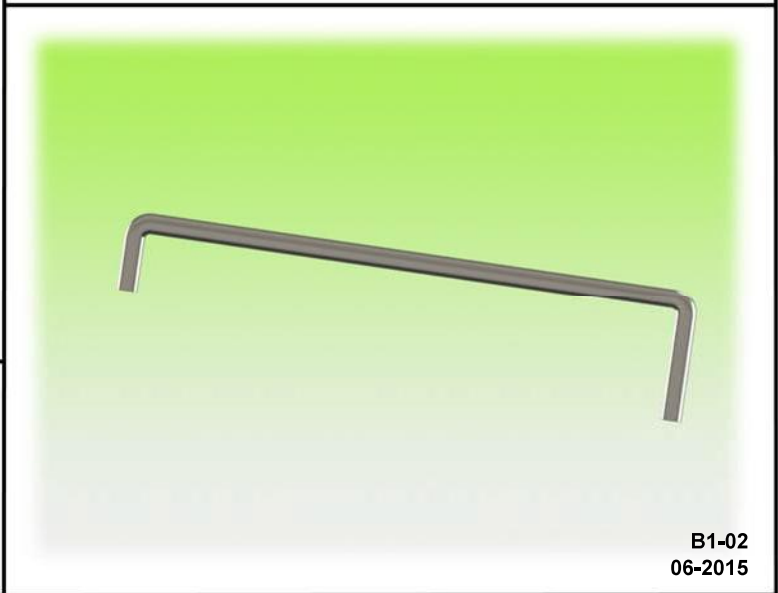
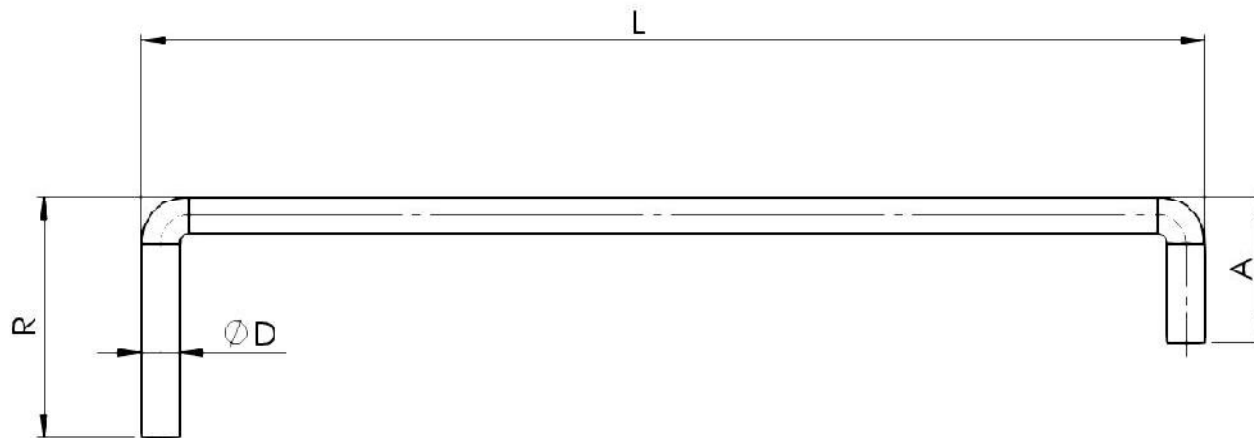
B-BRICK ANCHOR

BRICK ANCHOR

BSTP2.8(50-30)230-304

TYPE Ø LENGTH LENGTH LENGTH ALLOY
 R A L

Options :



Our recommendations :



France – phone : + 33 3 66 55 00 30
anchorscontact@gmail.com
www.anchorsforrefractory.com

B1-02
06-2015

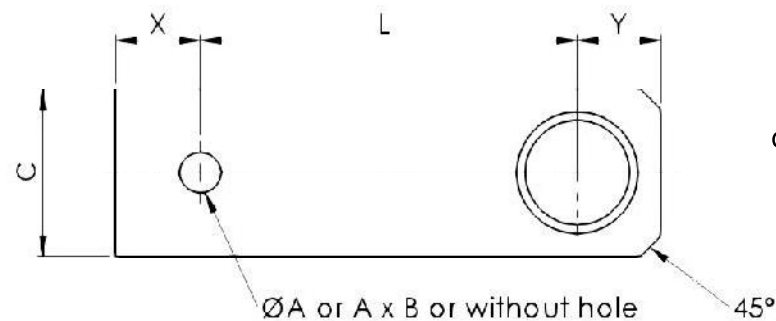
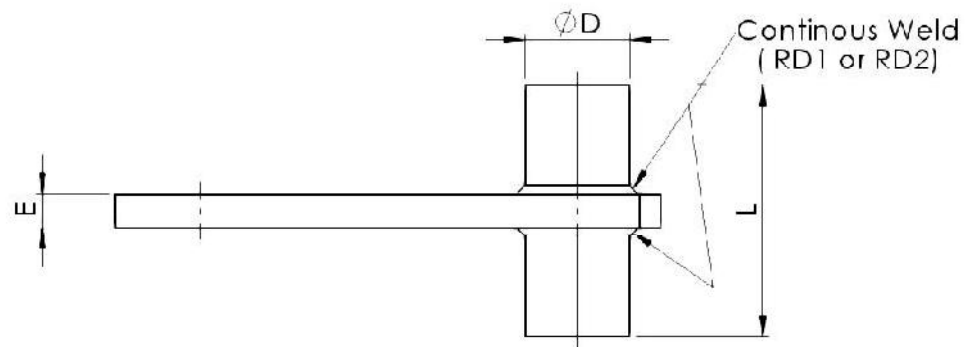
This drawing is the property of ANCHORS unauthorised use and / or reproduction of the drawing is prohibited. Informations mentioned are guide lines only and can be modified without previous notice .Please contact us if you want a liable specification.

B-BRICK ANCHOR

BRD1 .50 / 5 - 25/120/25 (ØA or Ax B) - 310

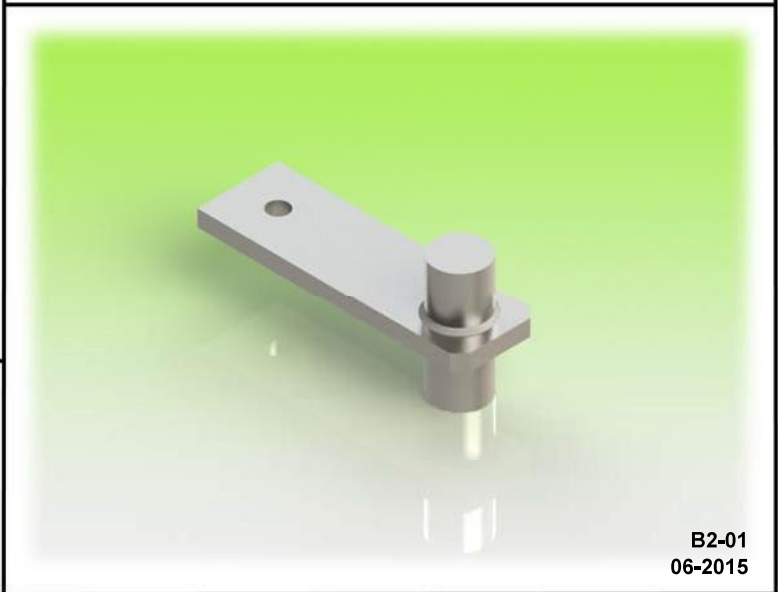
Options :

TYPE	Thickness.E LENGTH C	LENGTH L LENGTH X	Ø DRILLING or SQUARE HOLE LENGTH Y	ALLOY
------	-------------------------	----------------------	--	-------



BRD1
continuous weld side

BRD2
continuous weld 2 sides



Our recommendations :



France – phone : + 33 3 66 55 00 30
anchorscontact@gmail.com
www.anchorsforrefractory.com

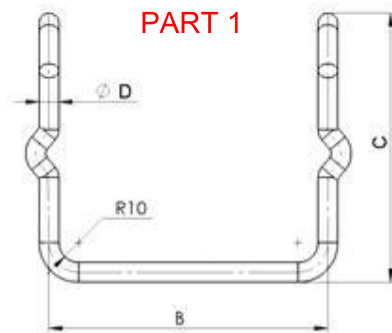
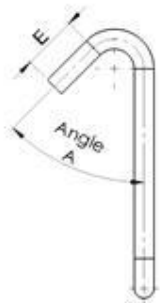
B2-01
06-2015

This drawing is the property of ANCHORS unauthorised use and / or reproduction of the drawing is prohibited. Informations mentioned are guide lines only and can be modified without previous notice .Please contact us if you want a liable specification

B-BRICK ANCHOR

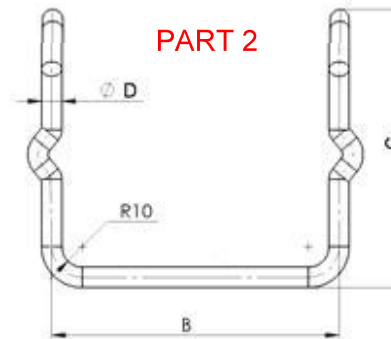
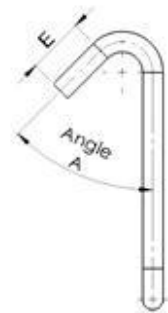
RSA.8(45) - 140/135/30 - 310

TYPE	Ø	ANGLE	LENGTH	LENGTH	LENGTH	ALLOY
	D	A	B	C	E	



1 ANCHOR =
1 PART 1 + 1 PART 2

SUPPLIED ASSEMBLED
TOGETHER IN ORDER TO
MAKE INSTALLATION
WORK EASIER



This system correspond to one set composed 2 scissors assembled together with a double articulation like a jaw

Options :



Our recommendations :



France – phone : + 33 3 66 55 00 30
anchorscontact@gmail.com
www.anchorsforrefractory.com

B3-01
06-2015

This drawing is the property of ANCHORS unauthorised use and / or reproduction of the drawing is prohibited. Informations mentioned are guide lines only and can be modified without previous notice .Please contact us if you want a liable specification

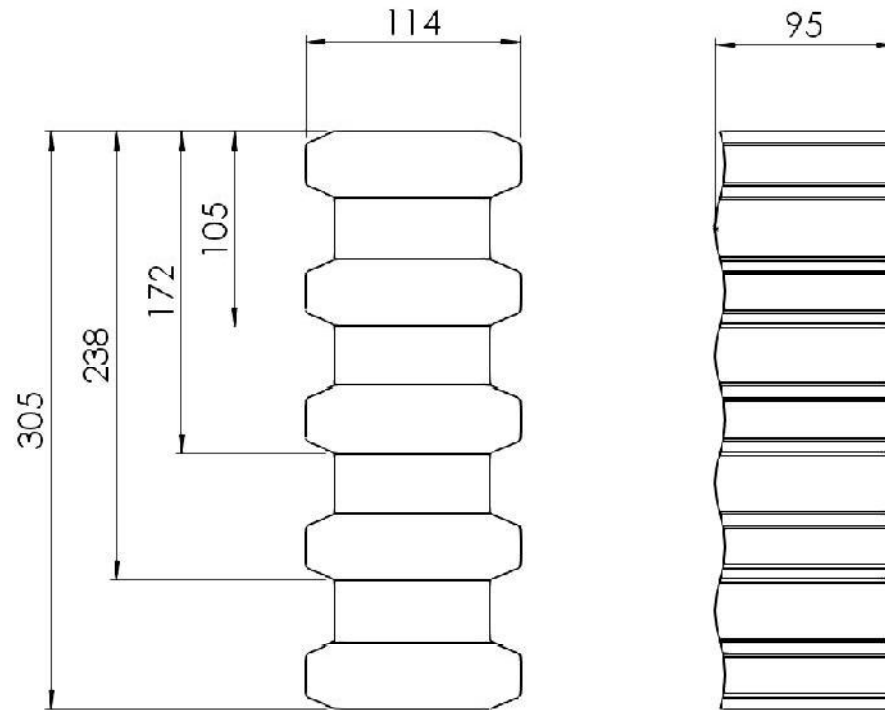


B-BRICK ANCHOR

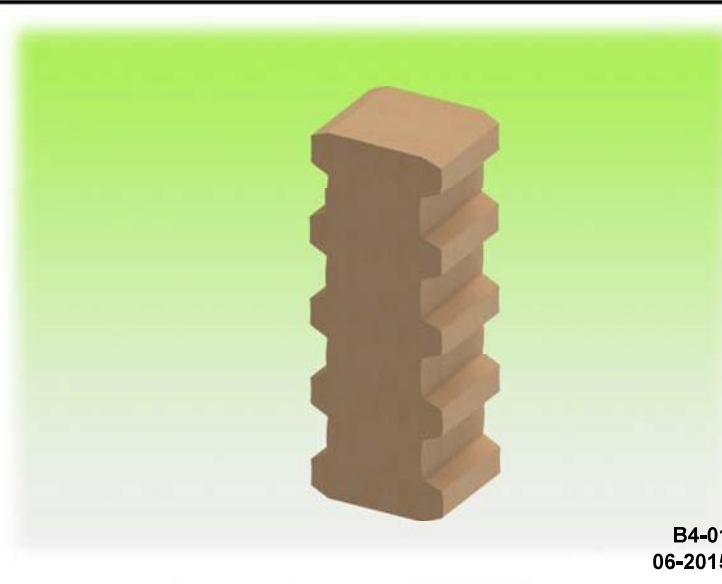
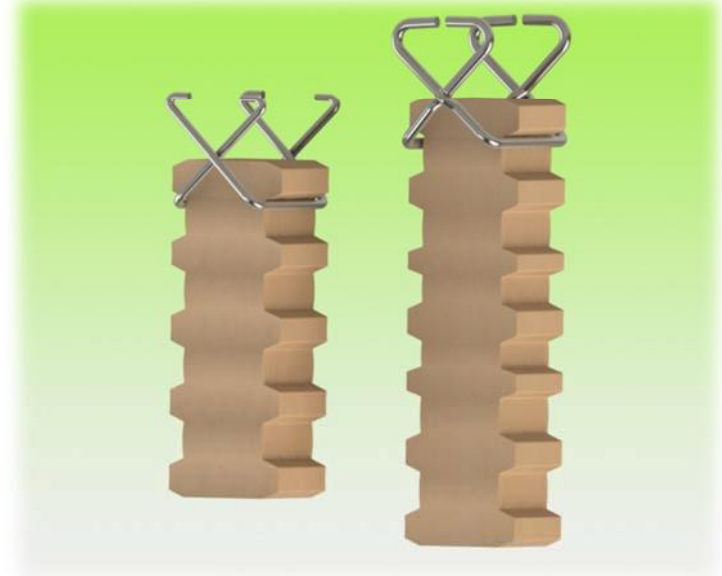
ANC 305 - 60

TYPE

% AL2O3



Options :



Our recommendations :

- Higher alumina content on request



France – phone : + 33 3 66 55 00 30
 anchorscontact@gmail.com
 www.anchorsforrefractory.com

B4-01
 06-2015

This drawing is the property of ANCHORS unauthorised use and / or reproduction of the drawing is prohibited. Informations mentioned are guide lines only and can be modified without previous notice .Please contact us if you want a liable specification

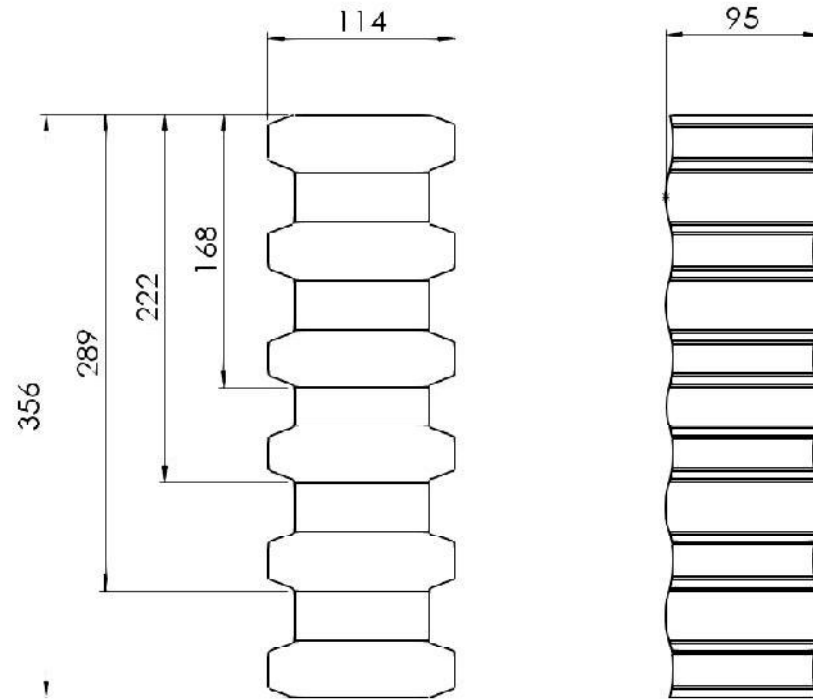


B-BRICK ANCHOR

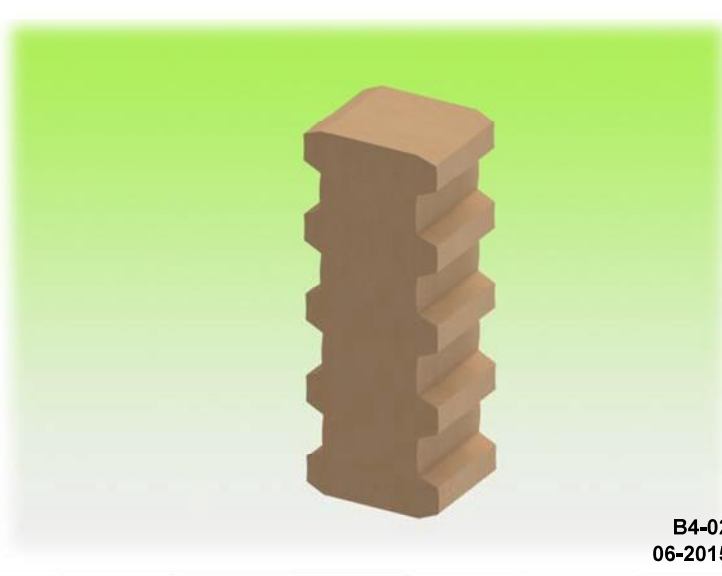
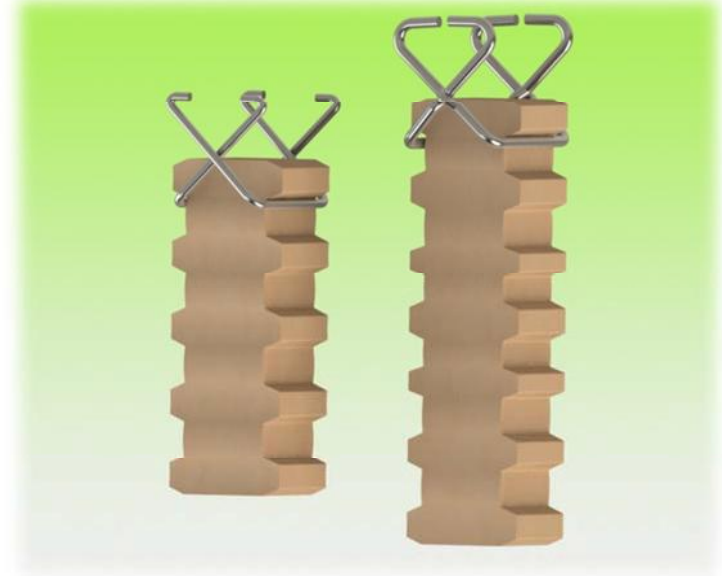
ANC 356 - 60

TYPE

% AL2O3



Options :



Our recommendations :

- Higher alumina content on request



France – phone : + 33 3 66 55 00 30
 anchorscontact@gmail.com
 www.anchorsforrefractory.com

B4-02
 06-2015

This drawing is the property of ANCHORS unauthorised use and / or reproduction of the drawing is prohibited. Informations mentioned are guide lines only and can be modified without previous notice .Please contact us if you want a liable specification

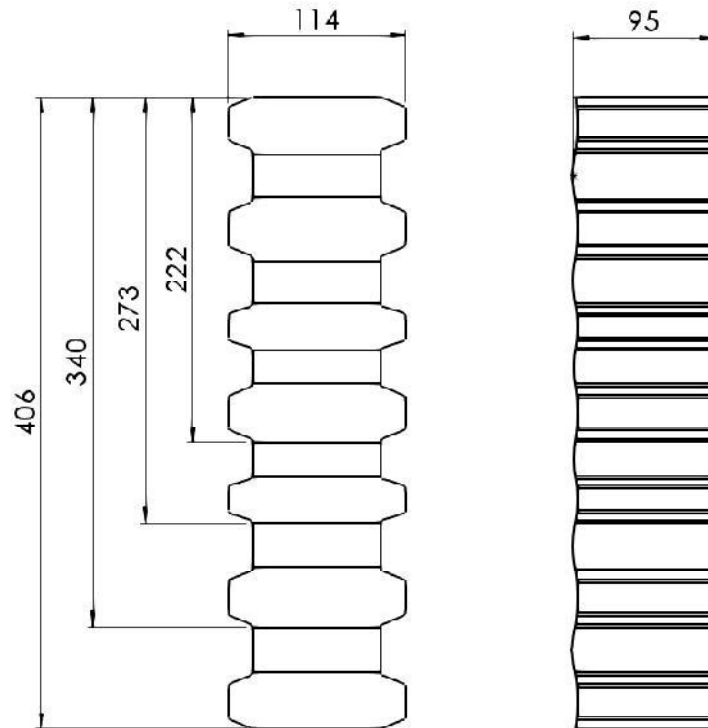


B-BRICK ANCHOR

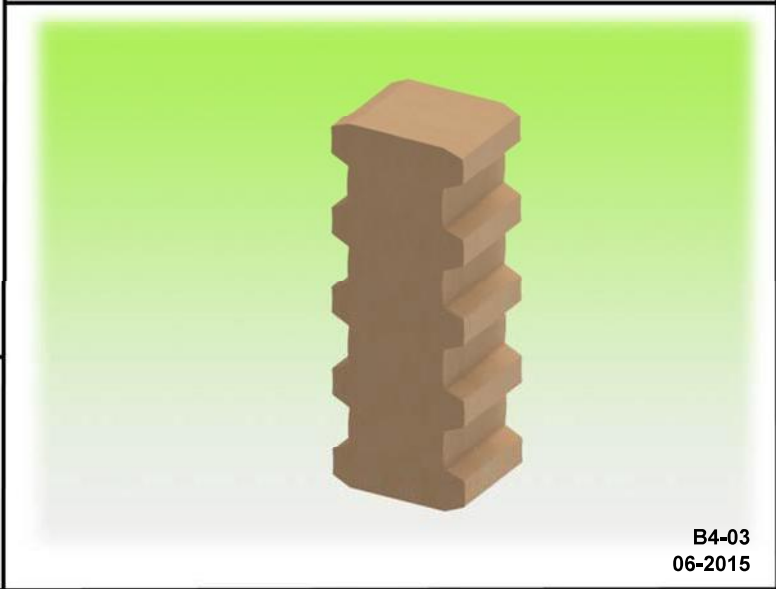
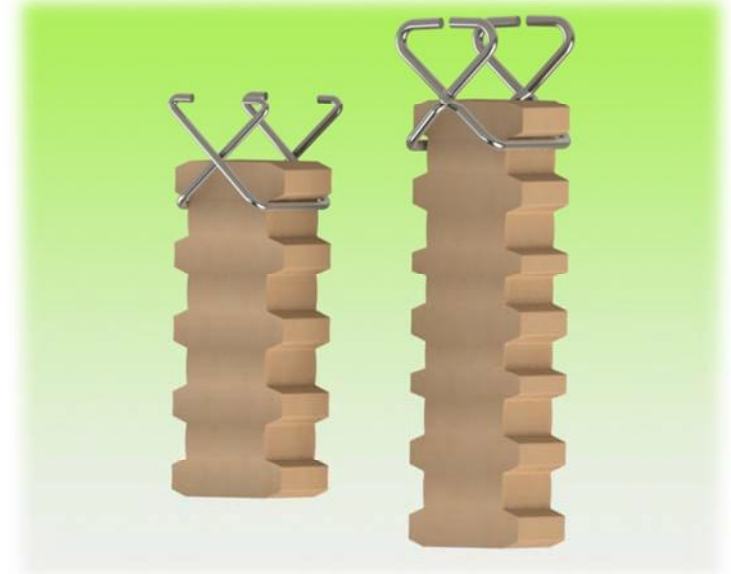
ANC 406 - 60

TYPE

% AL2O3



Options :



Our recommendations :

- Higher alumina content on request



France – phone : + 33 3 66 55 00 30
 anchorscontact@gmail.com
 www.anchorsforrefractory.com

B4-03
 06-2015

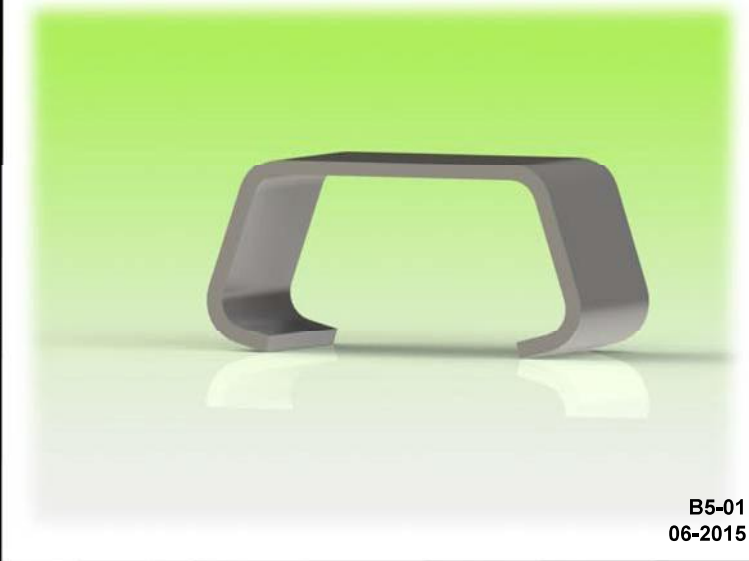
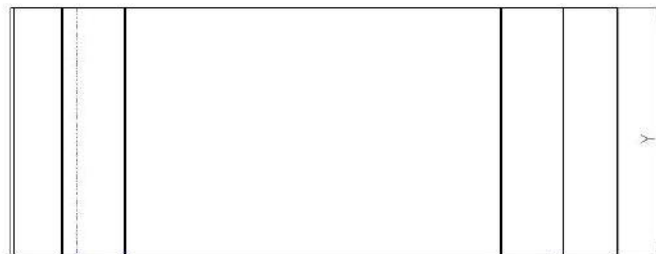
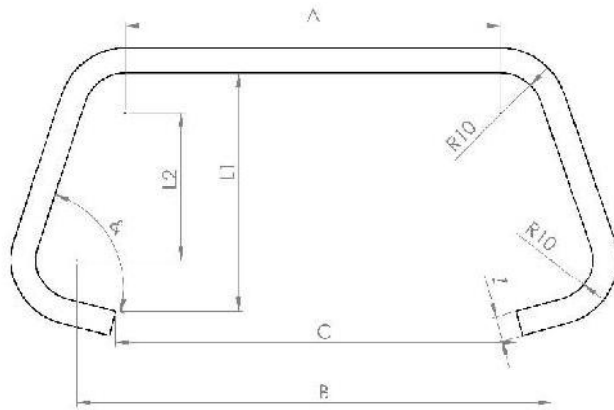
This drawing is the property of ANCHORS unauthorised use and / or reproduction of the drawing is prohibited. Informations mentioned are guide lines only and can be modified without previous notice. Please contact us if you want a liable specification



B-BRICK ANCHOR

C-CLIP 60/6 -

Options :



Our recommendations :



France – phone : + 33 3 66 55 00 30
 anchorscontact@gmail.com
 www.anchorsforrefractory.com

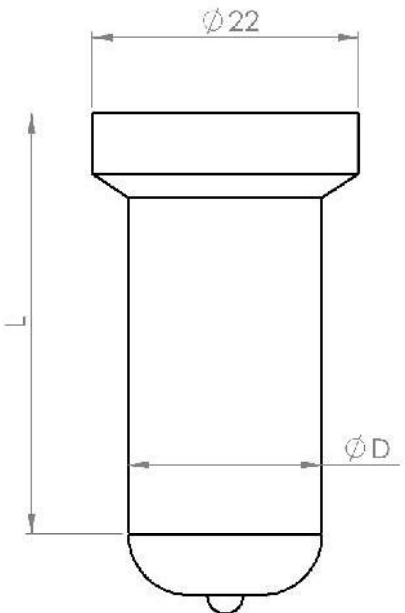
B5-01
 06-2015

This drawing is the property of ANCHORS unauthorised use and / or reproduction of the drawing is prohibited. Informations mentioned are guide lines only and can be modified without previous notice. Please contact us if you want a liable specification.

B-BRICK ANCHOR

RIS.16 – 035 – CS - AB

TYPE Ø D L ALLOY ALU BALL



Options :



RIV
HAND WELDING



Our recommendations :



France – phone : + 33 3 66 55 00 30
anchorscontact@gmail.com
www.anchorsforrefractory.com

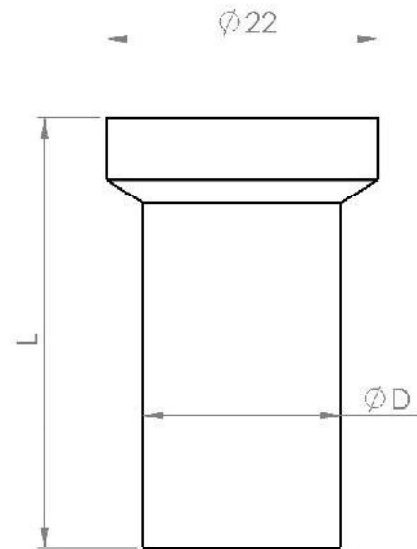
B6-01
06-2015

This drawing is the property of ANCHORS unauthorised use and / or reproduction of the drawing is prohibited. Informations mentioned are guide lines only and can be modified without previous notice .Please contact us if you want a liable specification

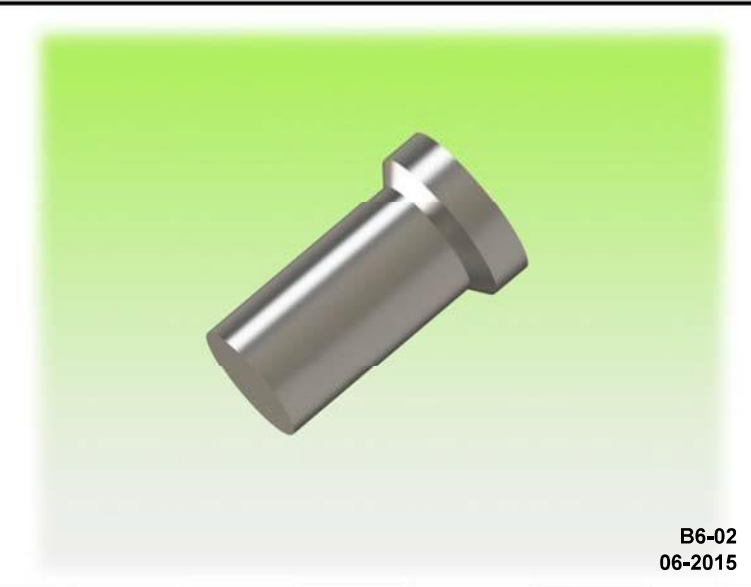


RI.16 – 035 – CS

TYPE Ø D L ALLOY



Options : see details on page B6-01



Our recommendations :



France – phone : + 33 3 66 55 00 30
anchorscontact@gmail.com
www.anchorsforrefractory.com

B6-02
06-2015

This drawing is the property of ANCHORS unauthorised use and / or reproduction of the drawing is prohibited. Informations mentioned are guide lines only and can be modified without previous notice .Please contact us if you want a liable specification



B-BRICK ANCHOR